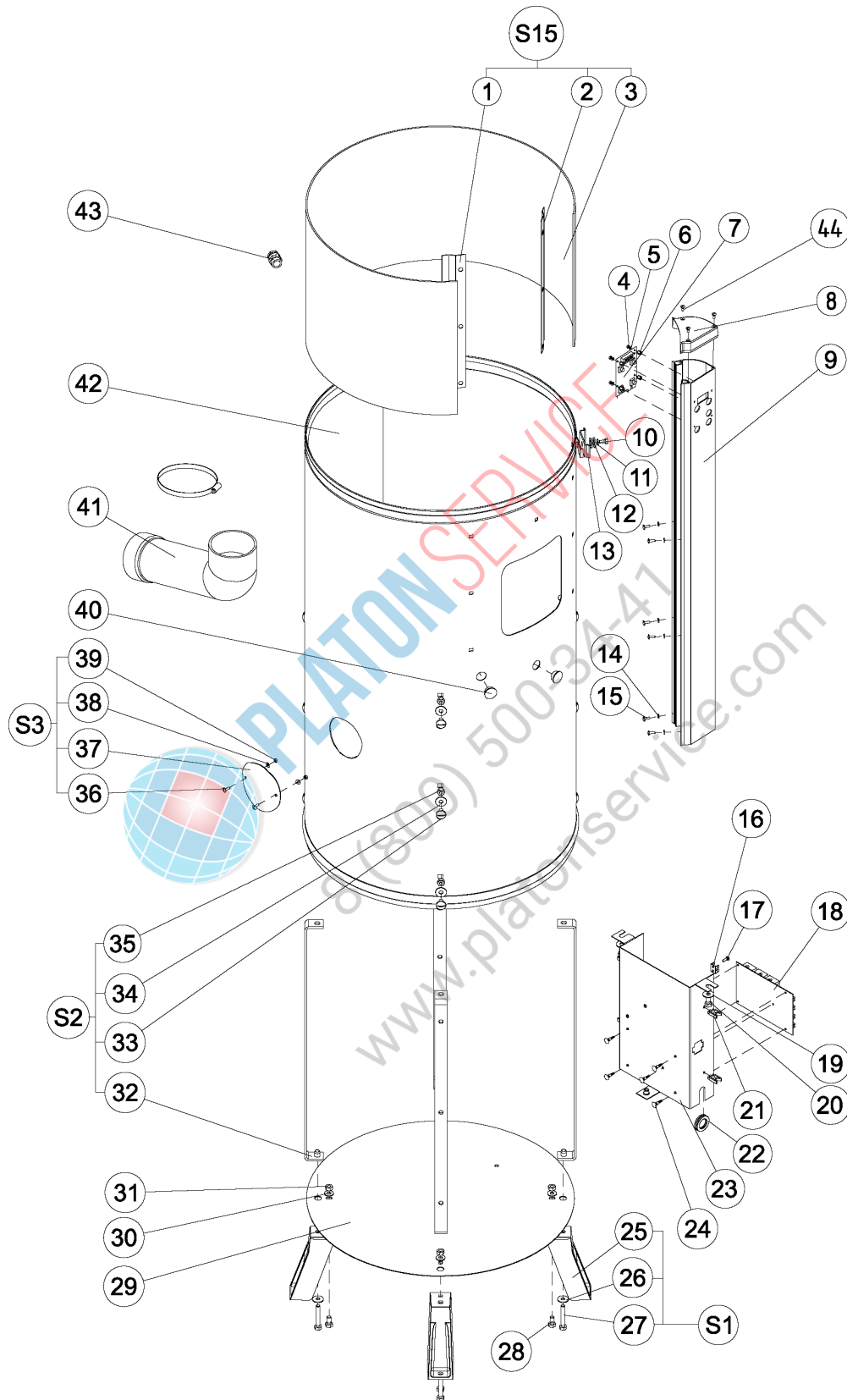


Vue éclatée carrosserie / Exploded view casing sub / Explosionszeichnung Karosserie



B

T25 FR 07 06

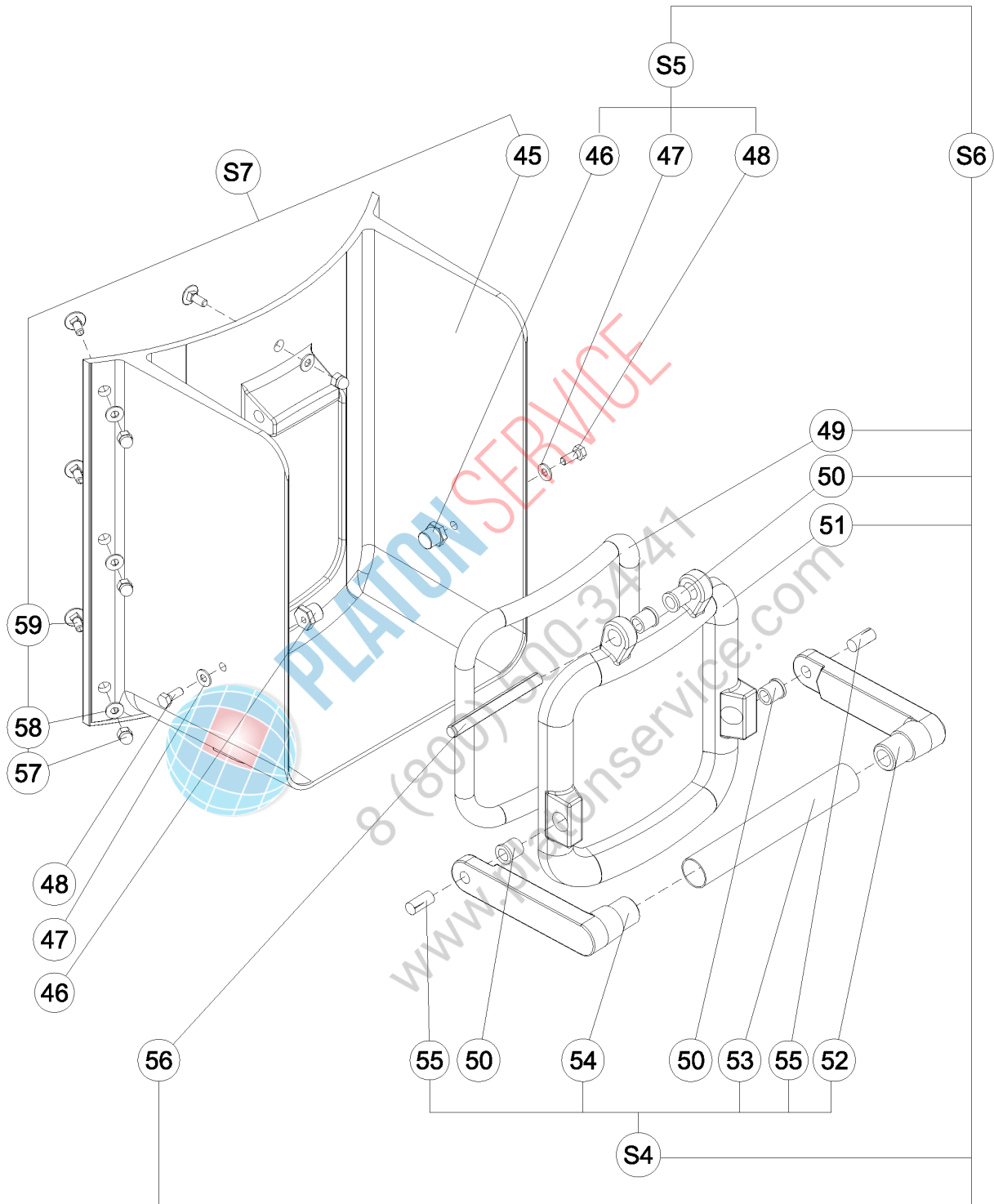
??????		602007									
??????		SP T25E		???????? 2		Exploded view casing sub					
.		Alias		S			.				(Euro)
0001	000000	28852									
0002	000000	20696									
0003	000000										
0004	033987	21796					+		SCREW; 10 PCS		18,27
0005	0D5188	31508							WASHER; PE M3; 10 PCS		21,62
0006	0D5190	31510							SPACER; 10 PCS		23,14
0007	0D5299			S					TIMER PROGRAM CARD		181,70
0008	0D5852	31864							SUPPORT; SECURITE COUVERCLE NM		5,29
0009	0D5333	31578							GUIDE; COMANDE; EQ T25E		255,80
0010	0D3587	30058							SCREW H M6X12 STL80 (SET X10)		18,57
0011	0D0624	21860					+		WASHER; SET 10PCS		3,97
0012	000000	21858									
0013	000000	31574									
0013	000000	31671									
0014	0D5137	30161							WASHER; PE 4.5*10*1; PCS 10		21,21
0015	0D0532	21625							SCREW; 10 PCS		19,33
0016	0D3567	30038			D				BRASS EARTH TERMINAL (SET X5)		19,22
0017	0D2851	24989							TAPTITE SCREW CX 4X12 ZN (SET X10)		
0018	0D3524	29595		S					POWER CARD III ASSY PEELER		149,20
0018	0D3525	29596		S					POWER CARD I ASSY PEELER		170,50
0019	0D2739	24642							WASHER CSM8 STLESS STL (SET X10)		27,20
0020	0D0498	21503							SCREW; 10 PCS		23,14
0021	0D5195	31516					Kit		CLIP; F/ FIXATION CABLE; 10 PCS		10,29
0022	0D3031	28223			D				GROMMET 21X26X2 (SET X 10)		30,75
0023	0D5912	31485			D				SUPPORT; COMPOSANTS ELX65		38,57
0024	0D2848	24949							PRINTED CIRCUIT FIXING SPACER (SET X6)		21,82
0025	000000										
0026	0D2739	24642							WASHER CSM8 STLESS STL (SET X10)		27,20
0027	0D2329	21878							SCREW H M8X30 SET X10		23,24
0028	0D0498	21503							SCREW; 10 PCS		23,14
0029	0D2607	23837			D				BASE PLATE T25E/ELX65		88,71
0030	0D0632	21876							WASHER CS M8 (SET OF 10 PCS)		20,27
0031	0D0641	21904							LOCKNUT OF 8		18,69
0032	000000										
0033	0D0517	21575			D				VIS RL M8X16 INOX; 10 PCS		26,19
0034	0D2739	24642							WASHER CSM8 STLESS STL (SET X10)		27,20

??????	602007								
??????	SP T25E	???????? 2					Exploded view casing sub		
.		Alias		S			.		(Euro)
0035	0D0642	21905						NUT; 10 PCS	19,85
0036	0D0532	21625						SCREW; 10 PCS	19,33
0037	000000								
0038	0D2284	21674					+	WASHER CS L4 GALV STL8B; SET 10 PCS	19,64
0039	0KL159	21795						NUT; 10 PCS	18,37
0040	0D0892	23826					D	PLUG; 4 PCS	22,03
0041	0U0406	5949						OUTLET PIPE ASSY FOR PEELER	51,36
0042	000000	23644							
0043	0D2073	17615						STUFFING BOX ASSY PL- CD4/8/13	49,13
0044	0D0521	21591						SCREW; 10 PCS	19,54
00S1	0D0890	23820						T25E/ELX65 FOOT ASSY	44,96
00S2	0U0713	23822					D	ASSEMBLY CD25	52,17
00S3	0D2608	23842					D	SHUTTER ASSY T10/T25E	40,19
0S15	0KL089	23832					S	ABRASIV STRIP ASSEMBLY	262,90

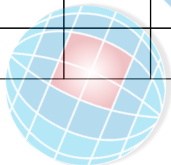


PLATON SERVICE
 8 (800) 500-34-41
 www.platonservice.com

**Vue éclatée porte / Exploded view door /
Explosionszeichnung Tür / Esploso Porta / Despiece Puerta**

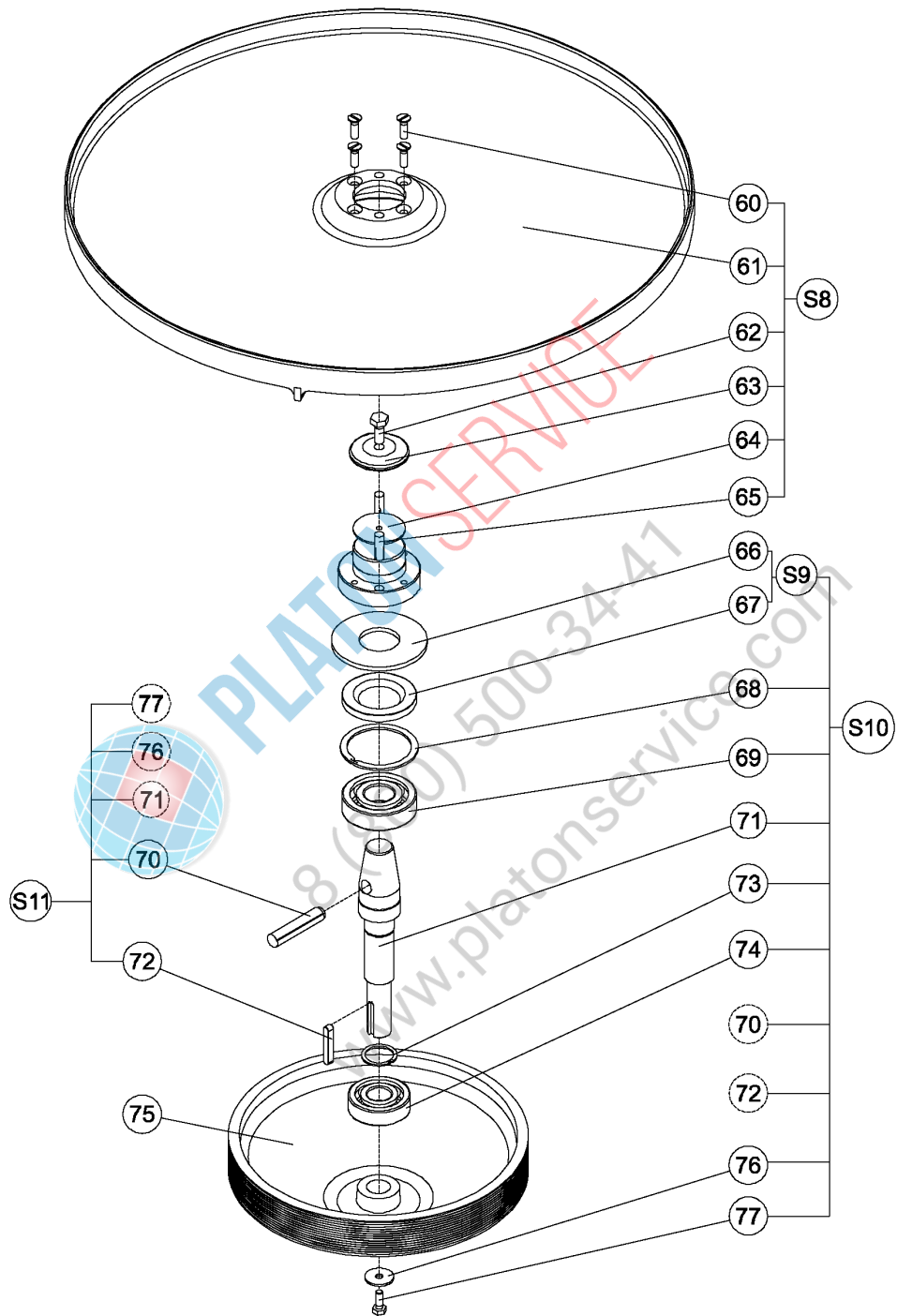


??????	602007									
??????	SP T25E	???????? 6					Exploded view door			
.		Alias		S			.			(Euro)
0045	000000									
0046	0D1605	17455						PIN; KIT 2 PCS		31,06
0047	0D0624	21860					+	WASHER; SET 10PCS		3,97
0048	0D0499	21505						SCREW; SET 10PCS; M6X16 INOX		20,06
0049	0HD027	7507						DOOR GASKET		83,43
0050	000000	1207								
0051	000000									
0052	000000									
0053	000000									
0054	000000									
0055	0U0656	21597						PIN FOR DOOR FIXING; 5 PCS		32,99
0056	0D1664	21943					D	COTTER PIN; 2 PCS		35,02
0057	0D0583	21801						SET OF 10 PCS BLIND NUTS M6		25,17
0058	0D0624	21860					+	WASHER; SET 10PCS		3,97
0059	0D2741	24644						SCREW; M6X16 STLESS STL (SET X10)		22,74
00S4	0D0894	23828						T25E HANDLE ASSY		62,22
00S5	0D0895	23829					D	T25E DOOR LOOKING PIN (JEU X2)		30,65
00S6	0D0896	23831					D	T25E DOOR ASSY		352,20
00S7	0D0893	23827					D	T25E REMOVABLE SPOUT		529,00



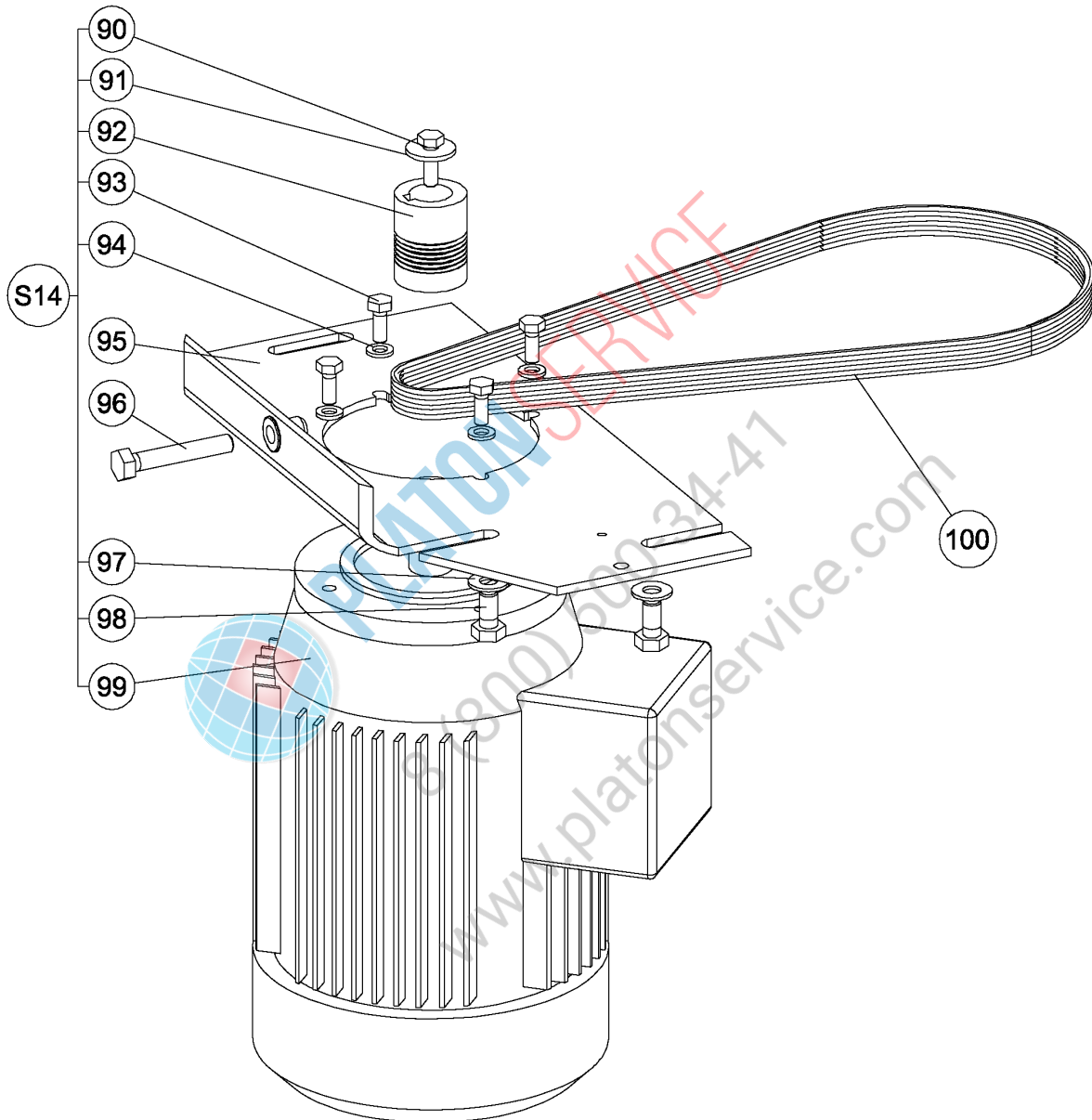
8 (800) 300 3411
www.platon-service.com

Vue éclatée mécanisme / Exploded view mechanical /
Explosionszeichnung Meccanismo / Esploso Meccanismo /
Despiece Mecanismo

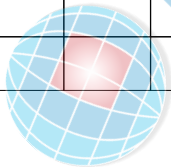


??????		602007									
??????		SP T25E		???????? 8		Exploded view mechanical					
.		Alias		S			.				(Euro)
0060	0U0659	21675							SCREW; 4 PCS		19,64
0061	000000										
0062	0D0507	21531							SCREW; 10 PCS		23,14
0063	0KQ664	1137							WASHER		8,13
0064	000000	20675									
0065	0KI995	21539					A		HINGEPIN; 10 PCS		38,67
0066	0D3560	30031							SEALING WASHER (SET X5)		102,50
0067	0D3533	30000				S			LIPPED SEAL 35X62X7 (SET X5)		35,42
0068	0U0717	23838							CLIP CD25 PEELER; 10 PCS		27,91
0069	0KJ748	3053				S			BALL BEARING; 6305 2RS		10,85
0070	0D0916	24112							PIN; 2 PCS		36,24
0071	0R0042	20673	0HA200						SAFETY THERMOSTAT		29,94
0072	0D2915	26131							WEDGE A 6X6X38 (X10)		22,53
0073	0KQ499	21789				S			C CLAMB; 10 PCS		20,40
0074	0KQ393	3051				S			BALL BEARING; 6304 2RS		8,84
0075	000000	20662									
0075	0D2431	22859	0HD017						MACHINED DRIVEN PULLEY 60HZ T25		
0076	0D0627	21868							WASHER; 10 PCS		20,71
0077	0D0499	21505							SCREW; SET 10PCS; M6X16 INOX		20,06
00S8	653506	20827							ABRASIVE PLATE FOR 25KG VEGETABLE PEELER		756,00
00S9	0U0718	23840							WATERPROOFER CD25 PEELER		42,33
0S10	0U0719	23841				S	A		MECH.PLATE HOLDER CD25 PEELER		144,10
0S11	0HD025	23839							SHAFT; CPL.; EQ T25E		109,60

Vue éclatée moteur / Exploded view Motor/
Explosionszeichnung Motor / Esploso Motore / Despiece Motor _____

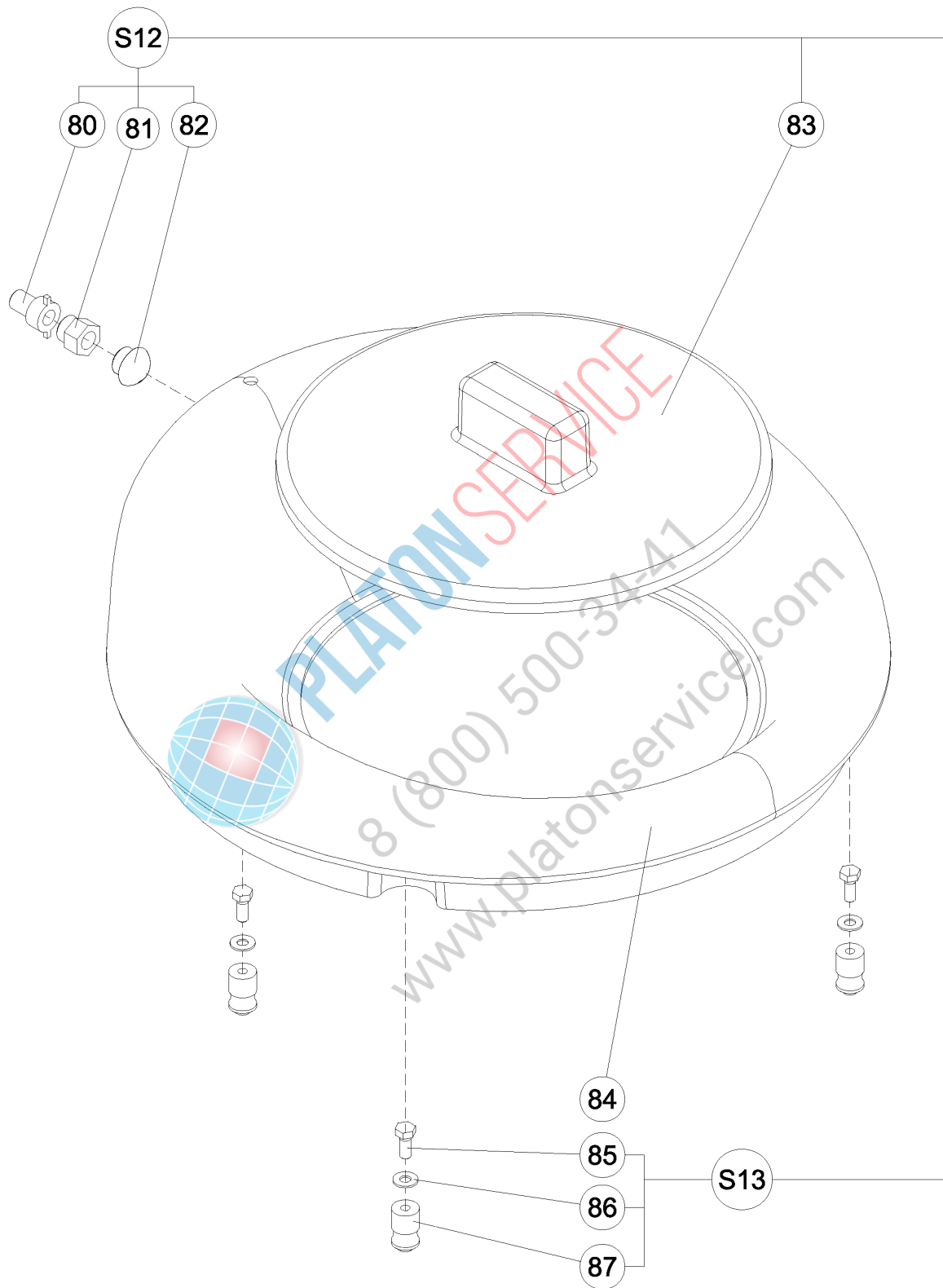


??????	602007								
??????	SP T25E	???????? 10					Exploded view Motor		
.		Alias		S		.			(Euro)
0090	0KQ512	21607			D		SCREW; 10 PCS		20,40
0091	000000	7012							
0092	000000	20674/1							
0092	000000	20674/3							
0092	0D0812	23227			D		POULIE MOTRICE TRI 60HZ TI25		139,10
0092	0D2432	22860			D		DRIVE PULLEY 60HZ T25		97,54
0093	0D0498	21503					SCREW; 10 PCS		23,14
0093	0D0499	21505					SCREW; SET 10PCS; M6X16 INOX		20,06
0094	000000	26015							
0094	0D0632	21876					WASHER CS M8 (SET OF 10 PCS)		20,27
0095	0D5910	20670			D		SUPPORT; MOTEUR T25		48,11
0096	0D3488	29329			D		SCREW H M8X50 STLESS STL (SET X10)		28,01
0097	0D2739	24642					WASHER CSM8 STLESS STL (SET X10)		27,20
0098	0D0498	21503					SCREW; 10 PCS		23,14
0099	0U0681	22228					MOTOR 3PHASE (CD25 PEELER)		258,80
0099	0U0714	23823			D		MOTOR 1PHASE		983,00
0100	0KR268	5630		S	A		BELT; 864J14		24,87
0S14	0D0891	23824					T25E 3 PHASE MOTOR EQT		261,90
0S14	0U0715	23825			D		1HP MOTOR EQUIPMENTCD25 PEELER		1 077,00



PLATON SERVICE
8 (800) 300-3447
www.platonsevice.com

**Vue éclatée trémie / Exploded view hopper/
Explosionszeichnung Trichter / Esploso Tramoggia/
Despiece Tolva**



L

T25 FR 12 06

??????	602007								
??????	SP T25E	???????? 12	Exploded view hopper						
.		Alias		S			.		(Euro)
0080	0D5615	29611			D			RING NUT; D12	8,98
0081	0D5613	29610			D			REDUCER; MALE/FEMELLE MALE RED 15/12	5,29
0082	000000	20698							
0083	0D5927	29346						LID; TREMIE ROTO. T25E	51,97
0084	000000	28853							
0085	0D0507	21531						SCREW; 10 PCS	23,14
0086	0D0632	21876						WASHER CS M8 (SET OF 10 PCS)	20,27
0087	000000	28851							
0S12	0D2606	23835			D			DIFFUSER T25E	58,06
0S13	0D0898	23836			D			T25E HOPPER ASSY	325,80



PLATON SERVICE
 8 (800) 500-34-47
www.platonservice.com